



TS-C 10-300/T-EN54

- aluminium housing
- weather proof
- BS 5839



EN 54-24:2008
Ref. Nr.: 006-13
ID-Code: SAA-LS06
1438/CPD/0315

ic audio GmbH, Boehringerstraße 14a,
D-68307 Mannheim, Germany

CE-Symbol gemäß Richtlinie 93/68EWG

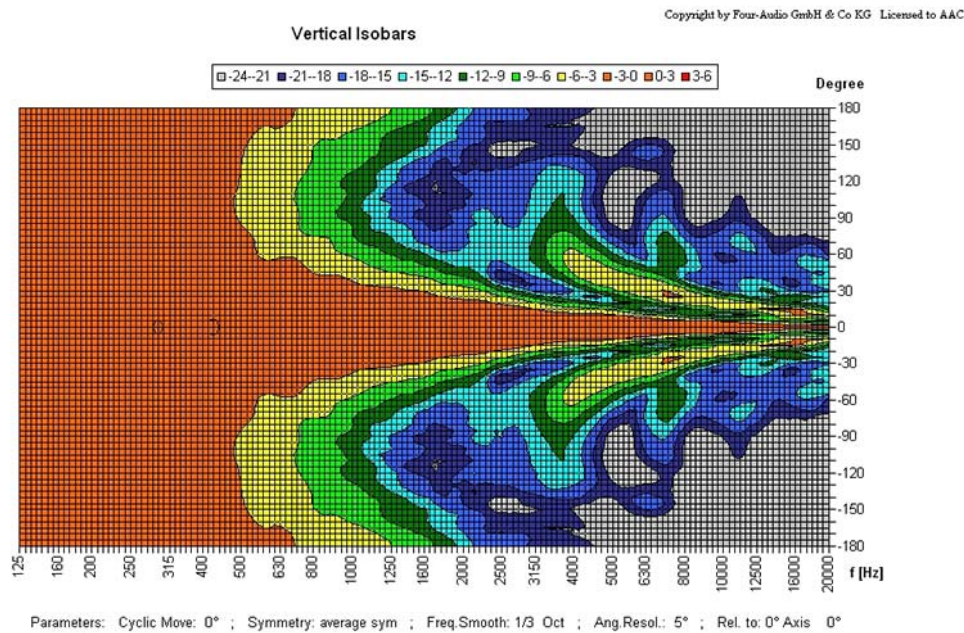
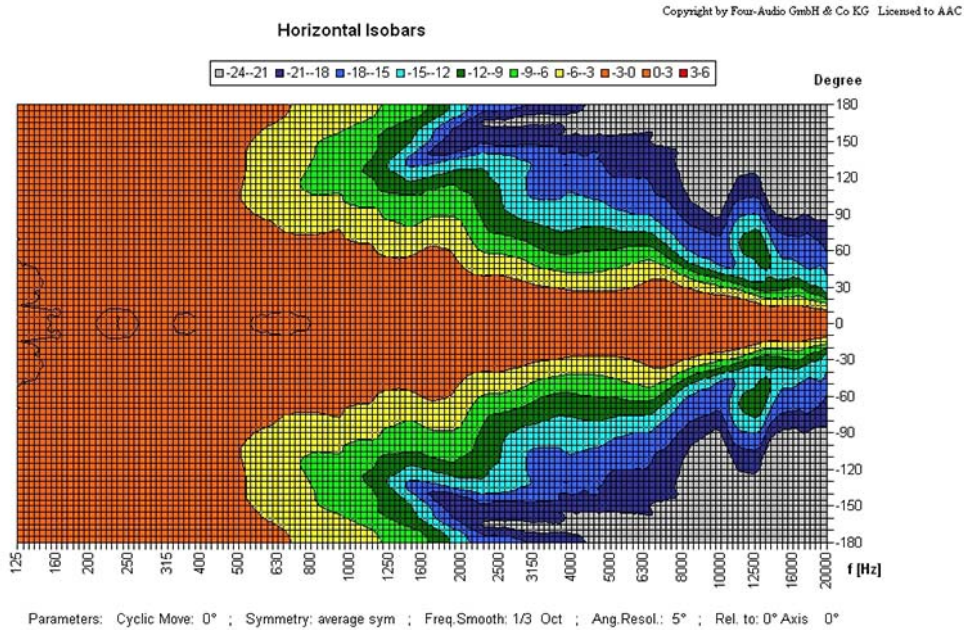
The 10W powered speaker is equipped with two 77mm full-range loudspeaker chassis and a 100V transformer with 4 power adjustments. The powder coated and shock-resistant aluminium housing in RAL 9006 guarantees long-term stability. For additional reliability, a 2 pin-ceramic block, a thermal fuse is provided and the speaker chassis is impregnated against wetness. Furthermore sturdy cable glands PG9 are also provided.

The speaker is also secured with the high protection class IP 66 against the security risks of environmental influences.

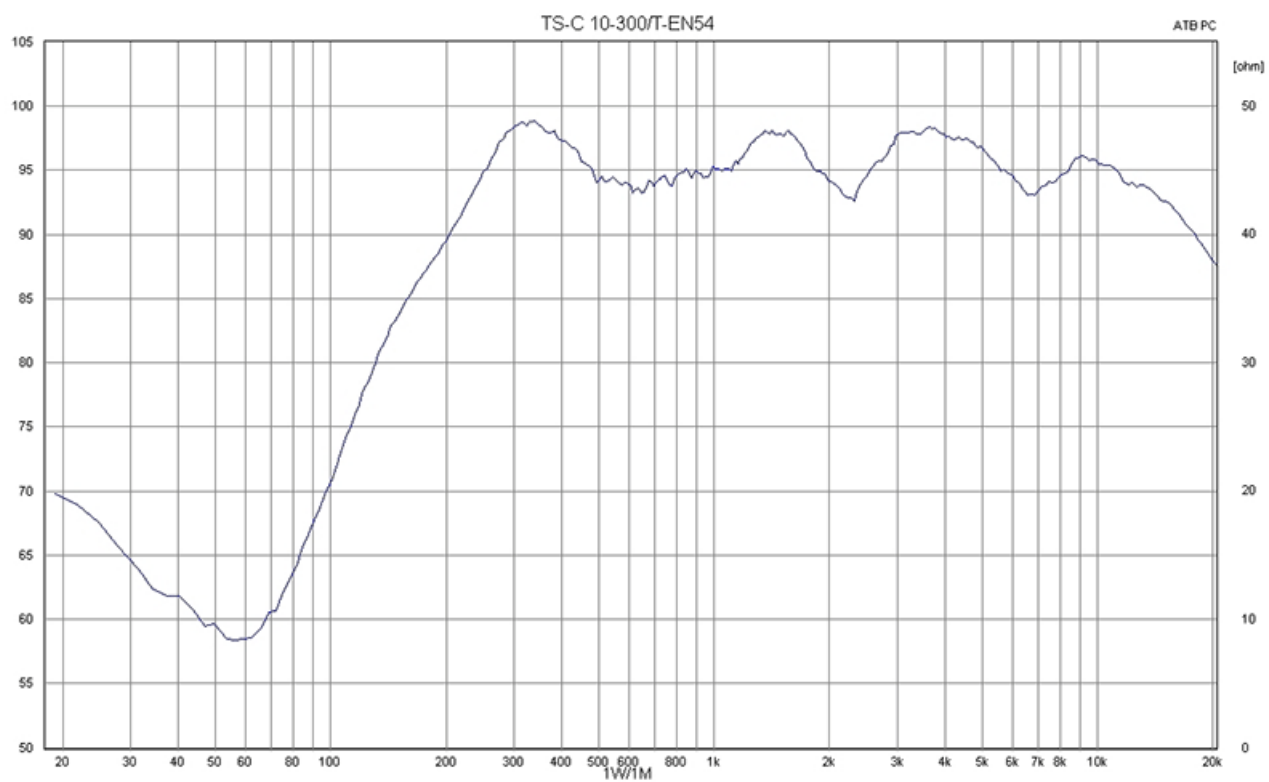
The speaker is compliant with the British Standard BS 5839, Part 8.

The easy mounting with the included swivel bracket provides much flexibility for the installation. Special paint of the speaker in 4-digit RAL- or NCS-colour available at extra cost.

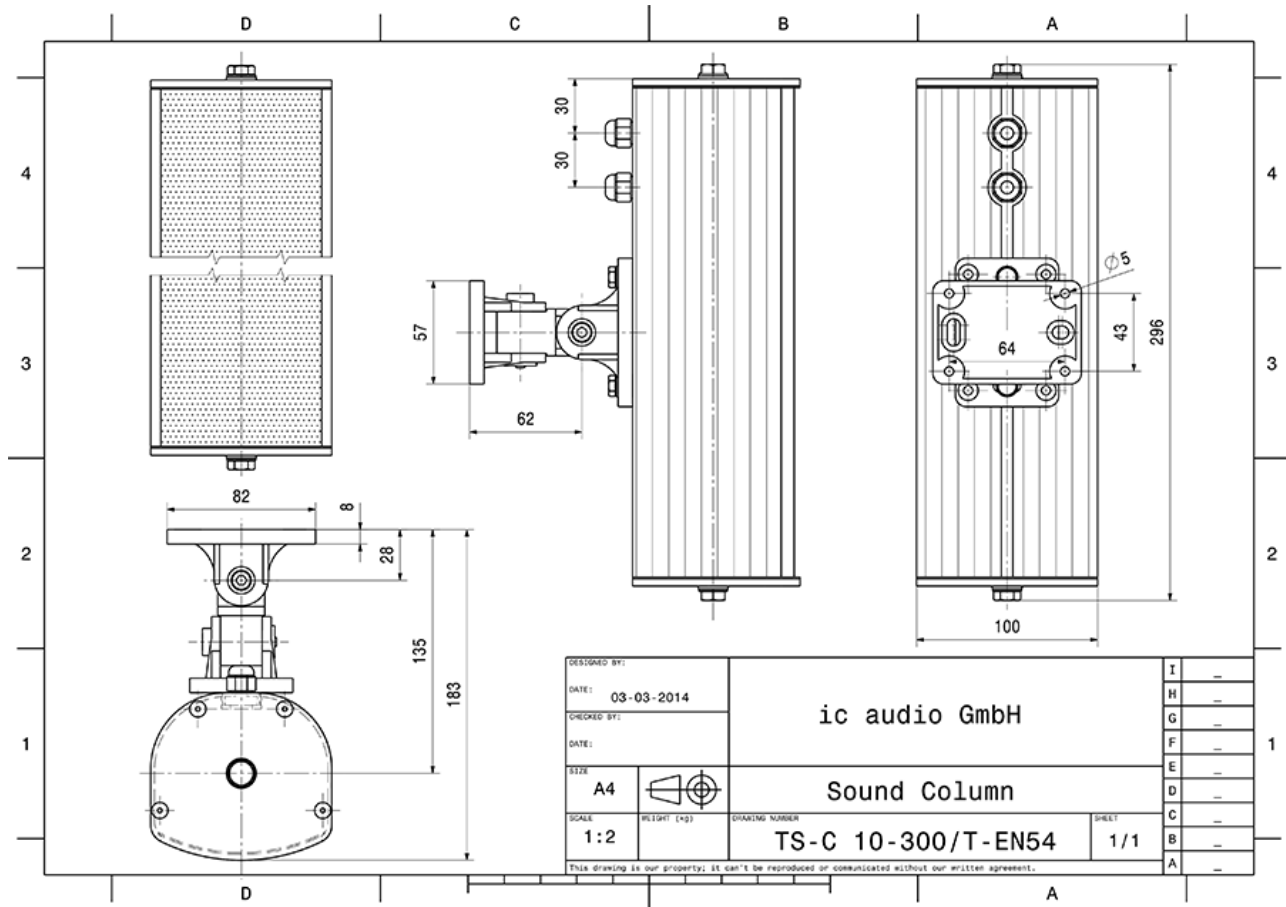
Polar Diagrams



Frequency Response Diagrams



Technical Diagrams



Technical Data (Electrical)

Description	TS-C 10-300/T-EN54
Power	10/6/3/1,5 W
Frequency Range	210 - 17.700 Hz
Frequency Response	140 - 23.500 Hz
SPL 1W/1m, IEC 268-5	97,6 dB
SPL , 1W/4m, IEC 268-5	85,6 dB
SPL Pmax/4m, IEC 268-5	95,6 dB
Sensitivity EN54-24, 1W/4m	77,2 dB
Dispersion -6dB, 500Hz	h/v = 360°
Dispersion -6dB, 1KHz	h = 187° , v = 66°
Dispersion -6dB, 2KHz	h = 149° , v = 66°
Dispersion -6dB, 4KHz	h = 91° , v = 32°

Technical Data (Mechanical)

Dimensions	285x100x92 mm
Weight (net)	1,60 kg
Temperature range	-20 / +90 °C
Mounting	Swivel bracket
Connector	2-pin ceramic block
Maximum cable cross section	8mm ²
Max. cable cross section loop	2x2mm ²
Colour	RAL 9006

Product Attributes



Measurements according to DIN IEC 268-5 | RoHS compliant (2002/95/EG)



Article Nr.: 20122601

Packing Unit: 1

