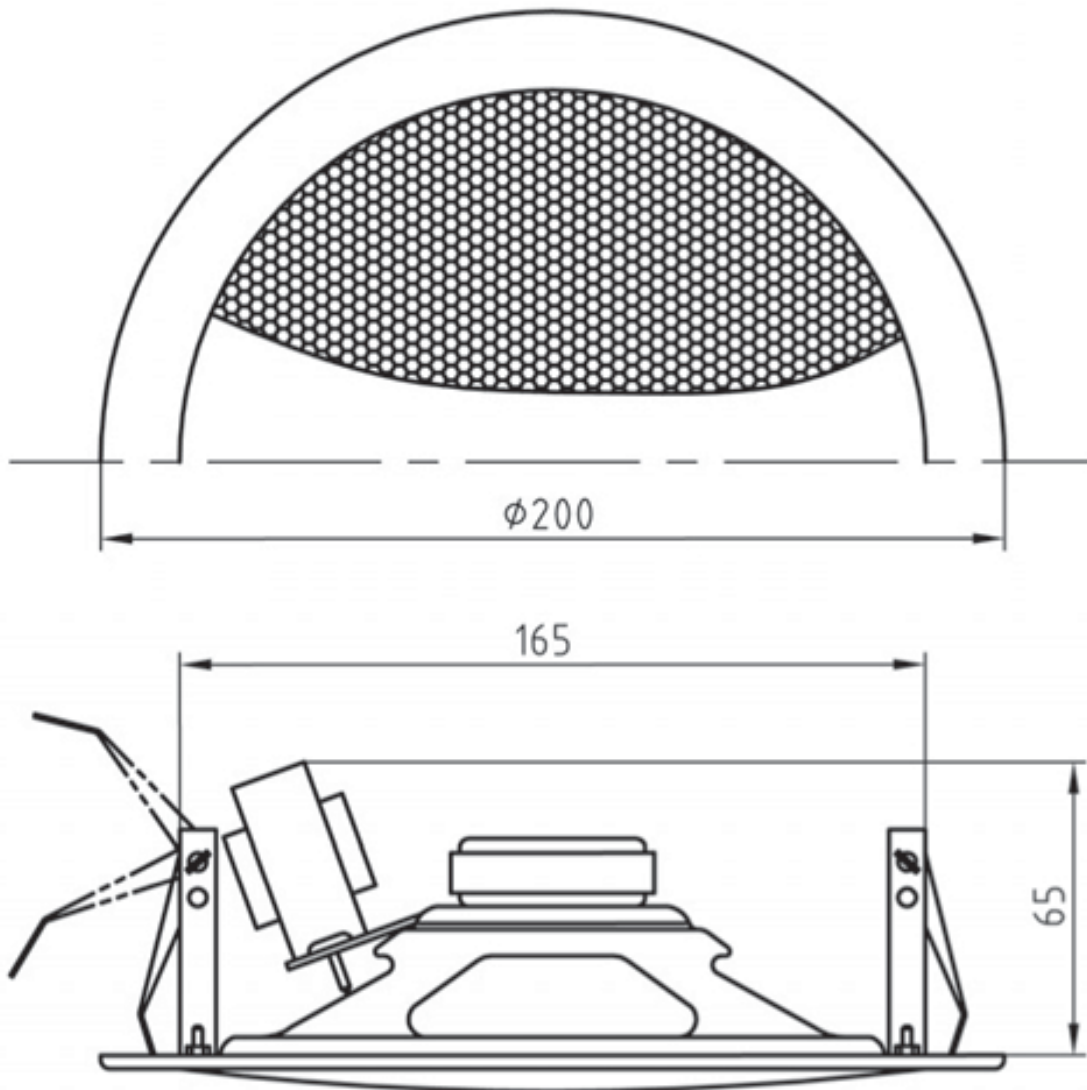
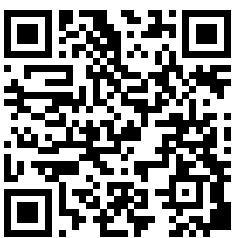


Technical Diagrams



Measurements according to DIN IEC 268-5 | RoHS compliant (2002/95/EG)



Article Nr.:
20071041

Packing Unit:
12

